

## General Description

The output voltages of the dual-axis TMR3004 TMR high-field angle sensor are proportional to the sine and cosine of the angle of a magnetic field applied parallel to the surface of the TMR3004. These sine and cosine signals are provided by two orthogonal full bridge TMR angle sensors. Each full bridge TMR angle sensor includes four unique high-field TMR sensor arms connected in a push-pull arrangement to produce a best-in-class peak-to-peak signal as large as 90% of the supply voltage, eliminating the need for amplification in many applications, while maintaining low error as the magnetic field is varied over a range of 1 kOe. Additionally, the TMR full bridge technology accurately compensates the output against changes in ambient temperature. This sensor is assembled in a compact LGA8 package of 3.0 mm × 3.0 mm × 0.9 mm.

## Features and Benefits

- High Magnetic Field Tunneling Magnetoresistance (TMR) Technology
- Wide 1 KOe Operating Range Provides Highest Air Gap Insensitivity
- Excellent Immunity to Environmental Magnetic Disturbance
- Large Output Signal without Amplification
- High Accuracy Dual-Axis 360° Angle Measurement
- Compatible with Wide Range of Supply Voltages
- Fast Response for High-Speed Applications
- Excellent Thermal Stability
- Compact LGA Package



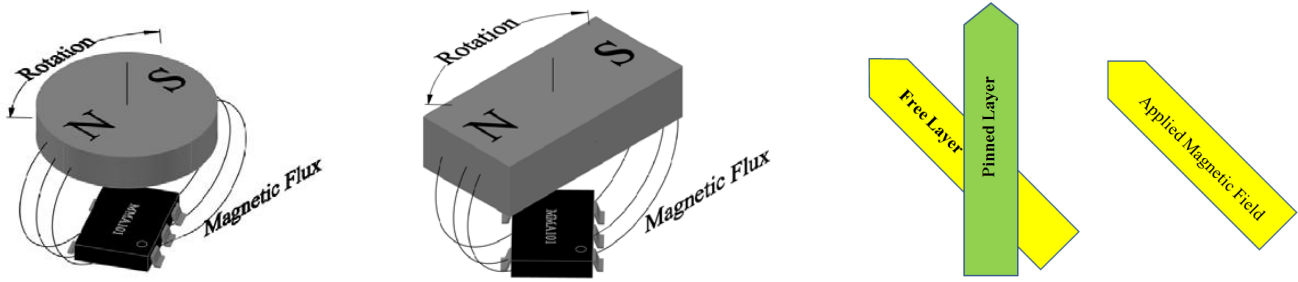
TMR3004

## Applications

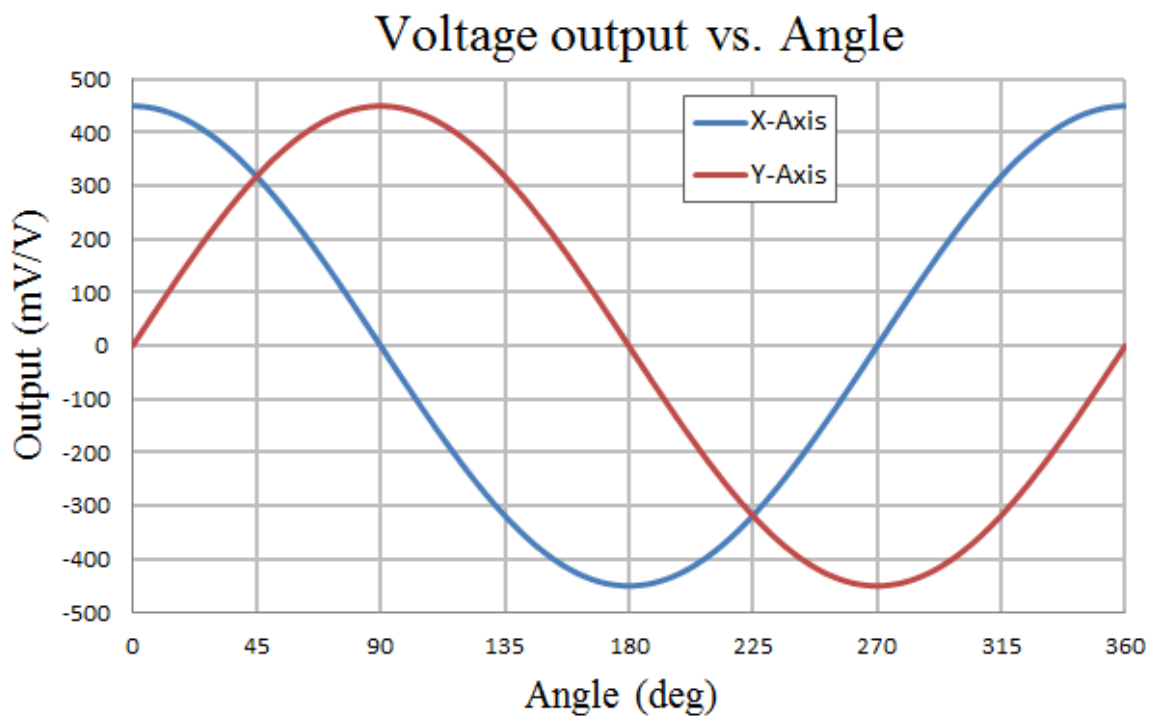
- Rotary Position Sensors
- Rotary Encoders
- Contactless Potentiometers
- Valve Position Sensors
- Knob Position Sensors

## Operation

A small dipolar magnet, placed above the TMR3004, can provide a magnetic field in any desired orientation parallel to the plane of the TMR3004 package. The magnetic field is detected by the TMR sensors in the TMR3004 which are comprised of two ferromagnetic layers. One layer is a “pinned layer” that is not affected by the magnetic field, and the other is “free layer,” which has a magnetization that aligns parallel to the applied magnetic field. Because the TMR effect produces a resistance that is proportional to the sine or cosine of the relative difference between the free and pinned layer magnetization orientations, the sensor output voltage is sinusoidally dependent on the angle of the applied magnetic field, thereby providing a true 360° measure of the orientation of the magnetic field.



The following chart show a typical sensor output as a function of the angle of the applied magnetic field using a 6 mm diameter, 2.5 mm thick magnet and a 1 V supply.



## Pinout

(Bottom View)

(Top view)

X: lot code  
WW: week code  
Y: year code

(Bridge Schematic)

Pin No.	Pin Name	Function
1	GNDX	Ground(direction X)
2	X-	Analog Differential Output 2(direction X)
3	X+	Analog Differential Output 1(direction X)
4	GNDY	Ground(direction Y)
5	Y+	Analog Differential Output1(direction Y)
6	Y-	Analog Differential Output2(direction Y)
7	V <sub>cc</sub> X	Supply Voltage(direction X)
8	V <sub>cc</sub> Y	Supply Voltage(direction Y)

### Absolute Maximum Ratings

Parameter	Symbol	Limit	Unit
Supply Voltage	$V_{CC}$	7	V
Max Exposed Field	$H_{ext}$	3000	Oe <sup>(1)</sup>
ESD Voltage	$V_{ESD}$	4000	V
Operating Temperature	$T_A$	-40~85	°C
Storage Temperature	$T_{stg}$	-40 ~105	°C

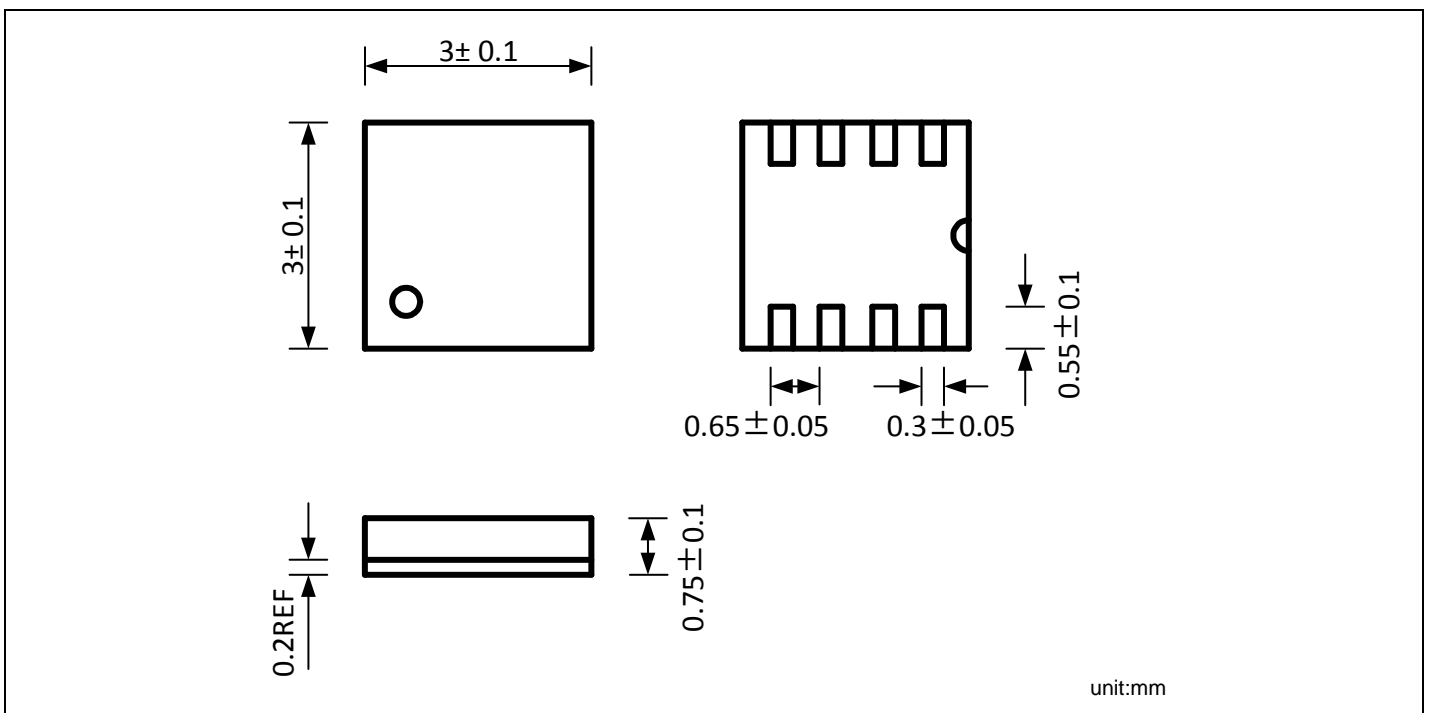
### Specification ( $V_{CC}=1.0V$ , $T_A=25^{\circ}C$ , Differential Output)

Parameter	Symbol	Conditions	Min	Typ	Max	Unit
Supply Voltage	$V_{CC}$	Operating		3.3	7	V
Bridge Resistance	R	Operating	5.5	7.5 <sup>(2)</sup>	9.5	kOhm
Peak Voltage	$V_{peak}$	Operating		960		mV/V
Offset Voltage	$V_{offset}$	Angle = 0°	-10		10	mV/V
Magnetic Field	H	Operating	150	500	1100	Oe
Angular Error	$\Delta\alpha$	Operating		$\pm 1.5$ <sup>(3)</sup>		°
Operation Coefficient of Peak Voltage	$TCV_{peak}$	$T_A$ in -40~85°C		-990		PPM/°C

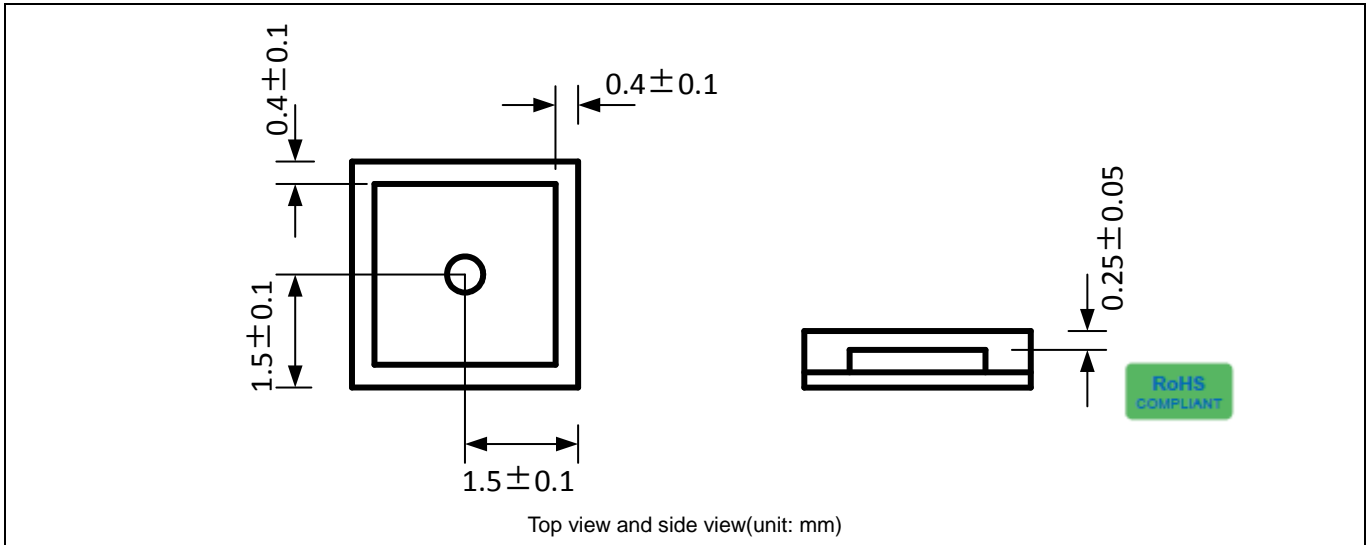
Note:

- (1) 1 Oe (Oersted) = 1 Gauss in air = 0.1 millitesla = 79.8 A/m.
- (2) Custom sensor resistance may be available upon request.
- (3) Analog output accuracy can be improved by calibration.

### Package Information



### TMR Sensor Position





**American Electronic Components Inc.**

1101 Lafayette Street, Elkhart, Indiana 46516, United States of America.

Web: [www.aecensors.com](http://www.aecensors.com) Email: [sales@aecensors.com](mailto:sales@aecensors.com)

Toll: 888 847 6552, Tel: +1 574 293 8013

The information provided herein by MultiDimension Technology Co., Ltd. (hereinafter MultiDimension) is believed to be accurate and reliable. Publication neither conveys nor implies any license under patent or other industrial or intellectual property rights. MultiDimension reserves the right to make changes to product specifications for the purpose of improving product quality, reliability, and functionality. MultiDimension does not assume any liability arising out of the application and use of its products. MultiDimension's customers using or selling this product for use in appliances, devices, or systems where malfunction can reasonably be expected to result in personal injury do so at their own risk and agree to fully indemnify MultiDimension for any damages resulting from such applications.