



- High load voltage - up to 480VAC
- 4 - 32VDC or 90 - 250VAC Control voltage
- Three phase, zero crossover switching
- LED Control input indicator
- Integrated heatsink, complete with fan
- DIN Rail or chassis mounting



### Output (Load)

Load type	3PST-NO (3 N/O) Resistive
Load current	40A
Load switching voltage	AC $V_{rms}$ 40 ~ 480V
Maximum peak voltage	AC $V_{pt}$ 900V
Minimum load current	0.1A
Inrush current (max.)	10ms 450A
$I^2t$	A <sup>2</sup> s 880
Switch type	Zero crossover (consult factory for Random)

### Input (control)

Control voltage	VDC DC: 4 ~ 32DC / AC: 90 ~ 250AC
Control current	mA <20
Turn-on voltage (min.)	$V_{min}$ DC: 3.5VDC / AC: 80VAC
Turn-on voltage (max.)	$V_{max}$ DC: 35VDC / AC: 280VAC
Turn-off voltage	V DC: 2VDC / AC: 40VAC

### Environmental

Dimensions	L x W x H	125 x 110 x 130mm
Weight	approx.	1300g

#### Note:

All SSR's should be protected by fast acting "semiconductor" fuses.

Circuit breakers and normal fuses are not quick enough to protect the SSR in the event of a current surge or spike"

It is recommended that load power is kept to no more than 70% of the SSR's rating to avoid unexpected issues in the event of variations in the load and ambient temperature" These SSR's are designed to be used with a suitable heat sink.

Transfer Pads and Heatsinks for Durakool SSR relays can be found in Durakool's Solid State Relay (SSR) catalogue.

### Ordering Code

S D A 3 Z - 4 0 K - D

#### Series

#### Switching

Z: Zero Crossover

#### Load current

40: 40A

#### Load voltage

K: 40 to 480VAC

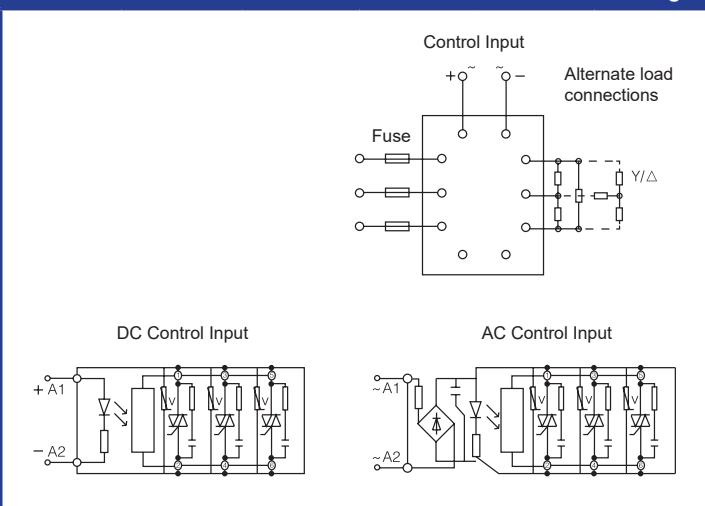
#### Control voltage input

A: 90 ~ 250VAC

D: 4 ~ 32VDC

### Schematic

Fig. 1



### Dimensions mm

Fig. 2

