

- Up to 80A / 250VAC Continuous rating
- Single coil & twin coil latching
- Utility meters
- Automotive / Electric vehicle battery

RoHS  
Compliant ✓

### Contacts

Contact arrangement	SPST-NO (1 NO)
Contact material	AgSnO <sub>2</sub>
Max. switching voltage	AC/DC 250VAC / 20VDC
Min. switching current / voltage	500mA/12VDC
Max. continuous current	80A
Max. switching current	80A
Max. switching power	20000VA
Initial resistance	≤ 10mΩ, max. at 0.1A/6VDC

### Coil

Rated voltage	9...48VDC
Operating range of supply voltage	See table 1
Rated power consumption	single coil 1.0W
Rated power consumption	twin coil 2.0W

### Insulation (EN 60664-1)

Insulation resistance	>1000MΩ at 500VDC, 50%RH
Dielectric strength	coil to contact 4000Vrms, 1min (50Hz)
	between open contacts 1800Vrms, 1min (50Hz)
Creepage & Clearance	8mm

### General Data

Operating time	max.	30ms
Release time	max.	30ms
Electrical life (resistive)	ops.	1 x 10 <sup>4</sup>
Mechanical life	ops.	5 x 10 <sup>5</sup>

### Environmental

Ambient temperature	operating	-40 to 70°C (Class F)
	storage	-40 to 70°C
Humidity		98%RH, 40°C
Shock resistance	functional	100m/s <sup>2</sup> 11ms
	destructive	1000m/s <sup>2</sup>
Vibration resistance		DA 1.5mm 10-55Hz
Dimensions	L x W x H	37.5 x 31 x 17mm
Weight	approx.	≤ 45g

### Ordering Code

D G 7 3 - 3 0 2 1 - 7 0 V - T L 0 9 - 0 H

Series

Coil code:

See table 1

Contact material

30: AgSnO<sub>2</sub>

Contact arrangement

21: SPST-NO (1NO)\*

31: SPST-NC (1NC)\*

\* As delivered condition

Environmental protection

7: Covered, dust cover

Mounting & terminations\*

0H: 90° Bent PCB coil terminals +

Straight power terminals

0V: Straight PCB coil terminals +

Straight power terminals

\* Terminals are highly customizable.  
Please contact factory.

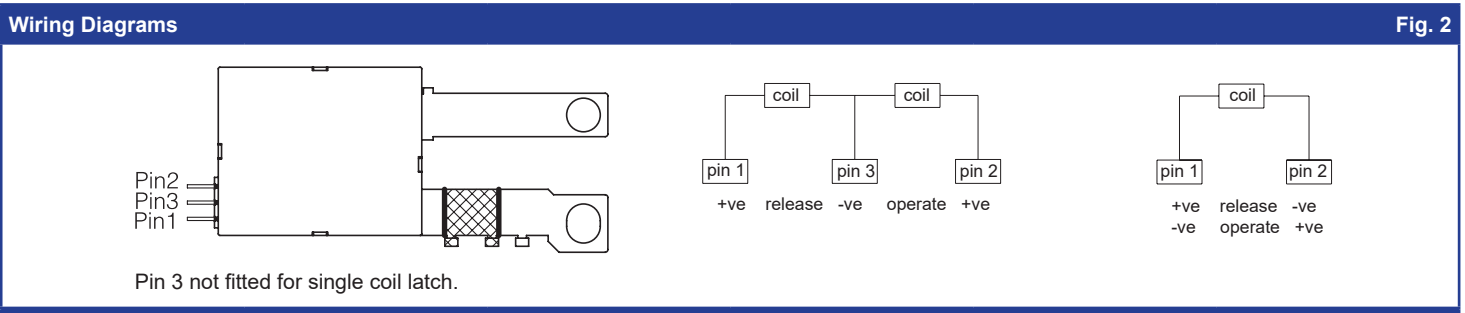
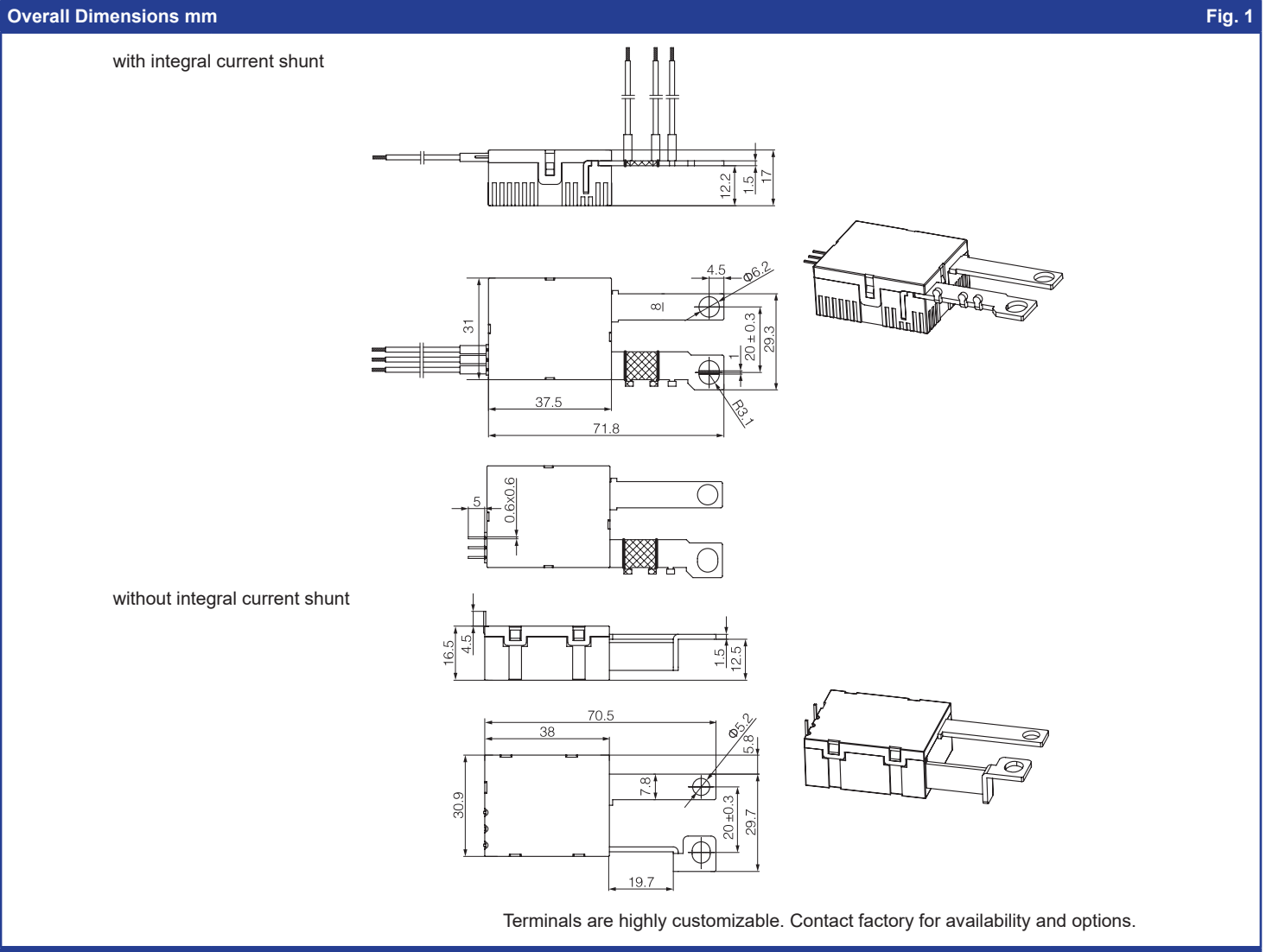
Options

Blank: Standard

P\*\*\* : Custom (\*\*\*) = unique identifier

DC Coil Data					Table 1	
Coil voltage code		Nominal voltage (VDC)	Coil resistance ( $\Omega$ ) $\pm 10\%$		Must operate voltage (VDC)	Recommended operate pulse length
Single coil	Twin coil*		Single coil (1.0W)	Twin coil* (2.0W)		
SL09	TL09	9	81	40.5 + 40.5	$\geq 6.3$	50ms
SL12	TL12	12	144	72 + 72	$\geq 8.4$	
SL24	TL24	24	576	288 + 288	$\geq 16.8$	
SL48	TL48	48	2304	1152 + 1152	$\geq 33.6$	

\* NB: Latch & Reset coils must not be powered simultaneously.



**Notes:**

1) All parameters, unless otherwise specified, are measured at an ambient temperature of 23°C.