



- Up to 16A / 250VAC Continuous rating
- Single coil & twin coil latching
- Utility meters
- Solar / Energy conservation

ROHS  
Compliant ✓

### Contacts

Contact arrangement	SPST-NO (1 N/O)
Contact material	AgSnO <sub>2</sub>
Max. switching voltage	AC/DC 250VAC / 20VDC
Min. switching current / voltage	500mA/12VDC
Max. continuous current	16A/250VAC
Max. switching current	16A
Initial resistance	≤ 10mΩ, max. at 0.1A/6VDC

### Coil

Rated voltage	DC	9...48V
Operating range of supply voltage		See table 1
Rated power consumption	single coil	1.0W
	twin coil	2.0W

### Insulation (EN 60664-1)

Insulation resistance		>500MΩ at 500VDC, 50%RH
Dielectric strength	coil to contact	4000Vrms, 1min (50Hz)
	between open contacts	1000Vrms, 1min (50Hz)
Creepage & Clearance		8mm

### General Data

Operating time	max.	15ms
Release time	max.	15ms
Electrical life	ops.	1 x 10 <sup>4</sup> (at rated current/voltage)
Mechanical life	ops.	1 x 10 <sup>6</sup>

### Environmental

Ambient temperature	operating	-40 to 70°C (Class F)
	storage	-40 to 70°C
Humidity		98%RH, 40°C
Shock resistance	functional	100m/s <sup>2</sup> 11ms (10g)
	destructive	1000m/s <sup>2</sup> (100g)
Vibration resistance		DA 1.5mm 10-55Hz
Dimensions	L x W x H	30.2 x 13.6 x 22.8mm
Weight	approx.	≤ 13.5g

### Ordering Code

D G 7 0 - 3 0 2 1 - 3 5 - T L 1 2 -

#### Series

#### Coil code:

See table 1

#### Contact material

30: AgSnO<sub>2</sub>

#### Contact arrangement

21: SPST1(-NO) \*

31: SPST-NC (1NC) \*

\* As delivered condition

#### Environmental protection

2: In cover, base sealed only

3: In cover, sealed - IP67

#### Mounting & terminations \*

5: For PCB

#### Options

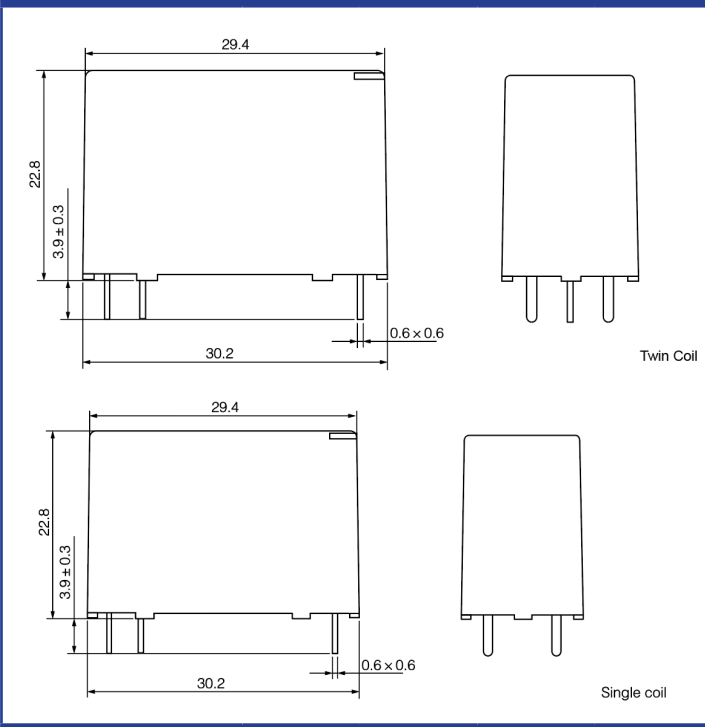
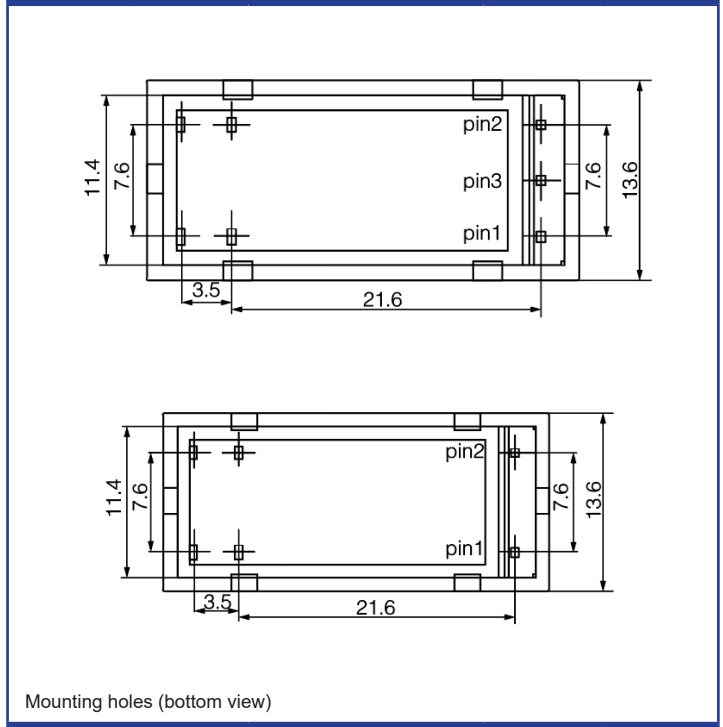
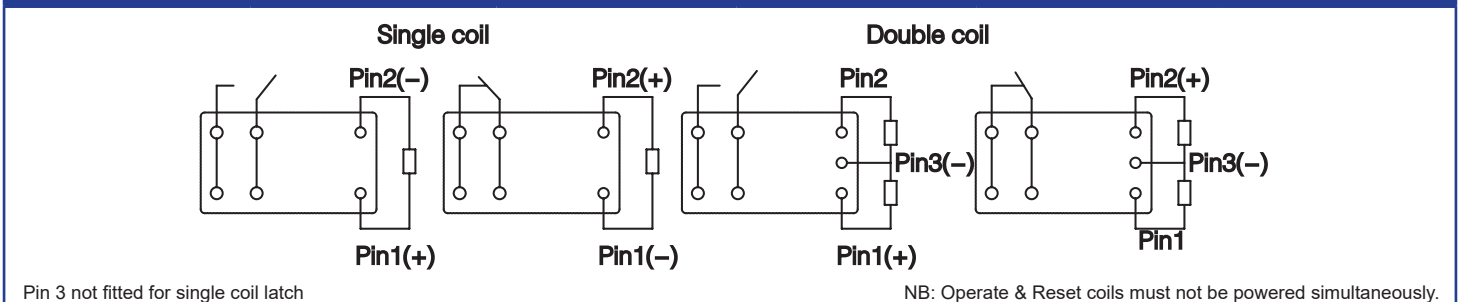
Blank: Standard

P\*\*\* : Custom (\*\*\*) = unique identifier)

**DC Coil Data**
**Table 1**

Coil voltage code		Nominal voltage (VDC)	Coil resistance ( $\Omega$ ) $\pm 10\%$		Must operate voltage (VDC)	Recommended operate pulse length
Single coil	Twin coil*		Single coil (1.0W)	Twin coil* (2.0W)		
SL09	TL09	9	81	40.5 + 40.5	$\geq 6.75$	50ms
SL12	TL12	12	144	72 + 72	$\geq 9$	
SL24	TL24	24	576	288 + 288	$\geq 18$	
SL48	TL48	48	2304	1152 + 1152	$\geq 36$	

\* NB: Latch & Reset coils must not be powered simultaneously.

**Dimensions mm (PCB Mounting)**
**Fig. 1**

**PCB Mounting Dimensions mm**
**Fig. 2**

**Wiring Diagram (bottom view)**
**Fig. 3**

**Notes:**

1) All parameters, unless otherwise specified, are measured at an ambient temperature of 23°C.